

Smart String Inverter

SUN2000-17KTL



Smart

- 6 strings intelligent monitoring and fast trouble-shooting
- RS485 and USB ports for connectivity and data management
- Local graphic LCD display and remote monitoring

Efficient

- Max. efficiency 98.6%, European efficiency 98.3%
- 3 MPPTs for versatile adaptations to different layouts

Safe

- DC disconnect integrated, safe and convenient for maintenance
- Type II surge arresters for both DC and AC
- Residual Current Monitoring Unit (RCMU) integrated inside
- Fuse free design

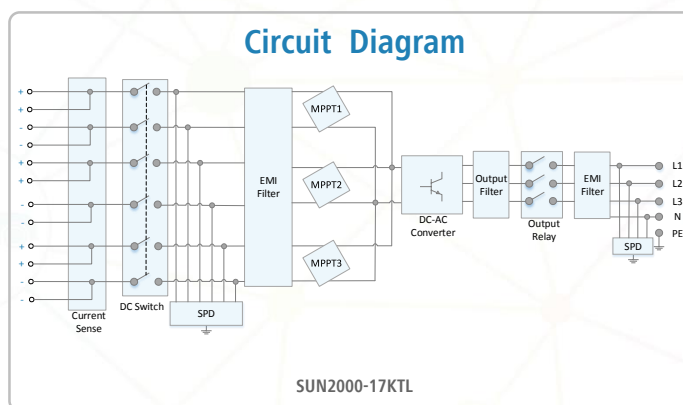
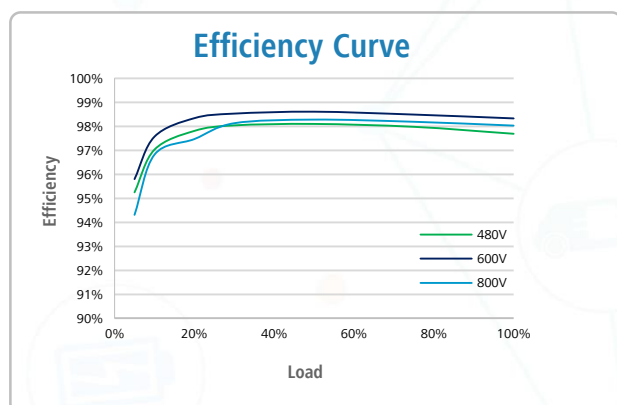
Reliable

- Natural cooling technology
- Protection rating of IP65

Smart String Inverter (SUN2000-17KTL)



Technical Specifications	SUN2000-17KTL
	Efficiency
Max. Efficiency	98.6%
European Efficiency	98.3%
	Input
Max. Input Voltage	1,000 V
Max. Current per MPPT	18 A
Max. Short Circuit Current per MPPT	25 A
Start Voltage	250 V
MPPT Operating Voltage Range	200 V ~ 950 V
Max. Number of Inputs	6
Number of MPP Trackers	3
	Output
Rated AC Active Power	17,000 W
Max. AC Apparent Power	18,700 VA
Max. AC Active Power (cosφ=1)	18,700 W
Rated Output Voltage	220 V / 380 V, 230 V / 400 V, 3W+N+PE
Rated AC Grid Frequency	50 Hz / 60 Hz
Rated Output Current	25.8 A @ 380 V / 24.7 A @ 400 V
Max. Output Current	28.5 A
Adjustable Power Frequency	0.8 LG ... 0.8 LD
Max. Total Harmonic Distortion	< 3%
	Protection
Input-side Disconnection Device	Yes
Anti-islanding Protection	Yes
AC Overcurrent Protection	Yes
DC Reverse-polarity Protection	Yes
PV-array String Fault Monitoring	Yes
DC Surge Arrester	Type II
AC Surge Arrester	Type II
Insulation Monitoring	Yes
Residual Current Monitoring Unit	Yes
	Communication
Display	Graphic LCD
RS485	Yes
USB	Yes
	General
Dimensions (W x H x D, with mounting bracket)	520 x 610 x 266 mm (20.5 x 24.0 x 10.5 inches)
Weight (with mounting plate)	50 kg (110.2 lb.)
Operation Temperature Range	-25 °C ~ 60 °C (-13 °F ~ 140 °F)
Cooling	Natural Convection
Max. Operating Altitude	3,000 m (9,842 ft.)
Relative Humidity	0 ~ 100%
DC Connector	Amphenol Helios H4
AC Connector	Amphenol C16/3
Protection Rating	IP65
Topology	Transformerless
	Standards Compliance
Safety	EN/IEC 62109-1, EN/IEC 62109-2
Grid Code	IEC 61727, IEC 62116, NB/T 32004-2013, VDE-AR-N-4105, VDE 0126-1-1, BDEW, G59/3, UTE C 15-712-1, CEI 0-16, CEI 0-21, C10/11, EN 50438-Ireland, EN 50438-Turkey, AS 4777, PEA (Only 20KTL), MEA (Only 20KTL), NRS 097-2-1



The text and figures reflect the current technical state at the time of printing. Subject to technical changes. Errors and omissions excepted. Huawei assumes no liability for mistakes or printing errors. For more information, please visit solar.huawei.com. Version No.:01-(2017)0830