

# ACCESSORIES

CCC CE CB SAA TÜV RoHS



- FMC4 Solar Connector
- FMC4B Solar Branch Connector
- FMC4H Solar Fuse Connector
- FMC4D Solar Diode Connector
- Single Core PV Cable
- PV Cable Assembly
- F56CB Solar Weatherproof Enclosure Box
- Solar Tools Kit
- Mini Circuit Breaker Accessories

**FEED**  
ELECTRIC

## FMC4 Solar Connector

- Simple on-site processing.
- Accommodates PV cable with different insulation diameters.
- Mating safety provided by keyed housings.
- Multiple plugging and unplugging cycles.
- High current carrying capacity.
- TUV and UL approved.

### High quality MC4



#### Specifications

Order NO.	Part P/N		Cable special	
	Connector	Terminal	Conductor size(mm <sup>2</sup> )	Cable OD(φ Dmm)
FMC4-CMMM-14	FMC4-CMMM-H	FMC4-CM-T14	AWG14(2.5 mm <sup>2</sup> )	φ 4.5- φ 8.5
FMC4-CMMM-12		FMC4-CM-T12	AWG12(4.0 mm <sup>2</sup> )	
FMC4-CMMM-10		FMC4-CM-T10	AWG10(6.0 mm <sup>2</sup> )	
FMC4-CFPM-14	FMC4-CFPM-H	FMC4-CF-T14	AWG14(2.5 mm <sup>2</sup> )	φ 4.5- φ 8.5
FMC4-CFPM-12		FMC4-CF-T12	AWG12(4.0 mm <sup>2</sup> )	
FMC4-CFPM-10		FMC4-CF-T10	AWG10(6.0 mm <sup>2</sup> )	

### General MC4



Rated Current	30A(2.5-6mm <sup>2</sup> )
Rated Voltage	1000V DC
Test Voltage	6000V(50Hz, 1min)
Overvoltage Type/Pollution Degree	CAT III /2
Contact Resistance Of Plug Connector	1mΩ
Contact Material	Copper, Tin-plated
Insulation Material	PPO
Degree Of Protection	IP2X/IP67
Flame Class	UL94-VO
Safety Class	II
Suitable Cable	OD 4.5-8.5(2.5-6.0mm <sup>2</sup> )
Insertion Force/Withdrawal Force	≤ 50N/ ≥ 50N
Connecting System	Crimp connection
Temperature Range	-40℃ ~ +125℃



## FMC4H Solar Fuse Connector



### Application

A range of 10x38mm fuse links specifically designed for protecting photovoltaic strings. These fuse links are capable of interrupting low overcurrents associated with faulted photovoltaic string arrays (reverse current, multi-array fault).

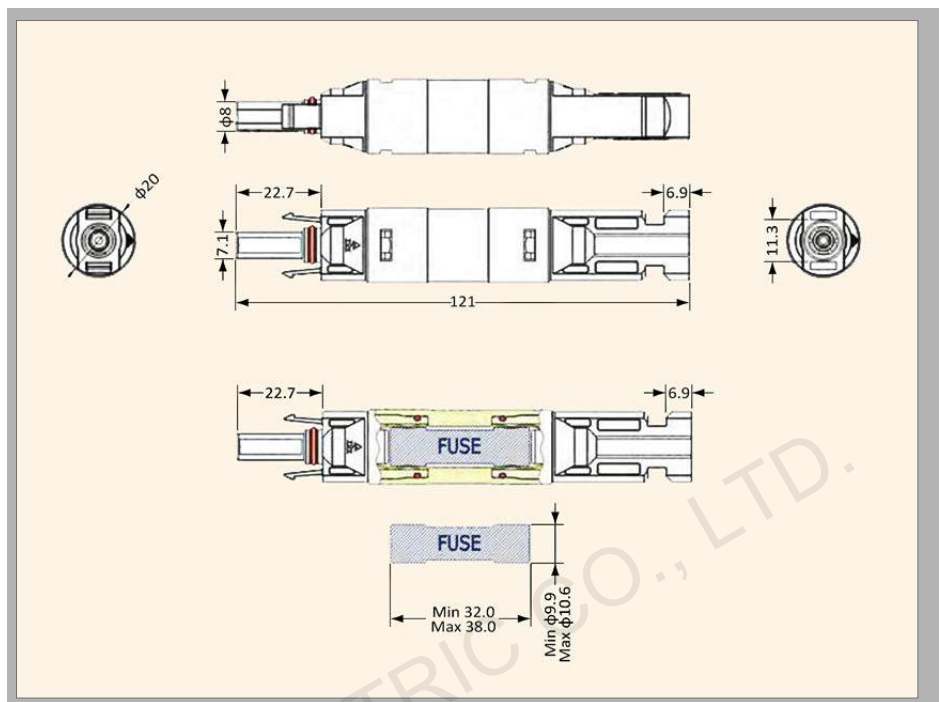
### Structural Characteristics

- Solar PV Fuse Holder, DC 1000V, up to 30A fuse.
- IP67, 10x38mm Fuse Copper.
- Suitable connector is MC4 Connector.

### Specifications

Technical Data	
Rated Current	30A(According to the FUSE)
Rated Voltage	1000V DC
Test Voltage	6000V(50Hz, 1min)
Overvoltage Category/Pollution Degree	CAT III /2
Contact Resistance Of Plug Connector	1mΩ
Contact Material	Copper, Ag plated
Insulation Material	PPO
Degree Of Protection	IP2*/IP67
Flame Class	UL94-VO
Safety Class	II
Insertion Force / Withdrawal Force	≤ 50N / ≥ 50N
Connecting System	Crimp connection
Temperature Range	-40℃ ~ +125℃

### Dimensions



## FMC4D Solar Diode Connector



### Main Speciality

- The fuse/diode series connectors.
- Low power loss.
- Auto-lock equipment of male and female points enable connection more easy and reliable.
- With the capacity of anti-aging and resistance to ultraviolet radiation on the outer cover.
- Popular figure suit most of field installation.
- Simple on-site processing.
- With convenient installation, strong commonality.

### Specifications

Technical Data	
Insulation Material	PPO
Contact Material	Copper, Tin plated
Adapting Current	10A
Rated Voltage	1000V(TUV), 600V(UL)
Test Voltage	8000V(TUV50Hz, 1min)
Contact Resistance	<0.5mΩ
Degree Of Protection	IP67
Ambient Temperature Range	-40℃ ~ +85℃
Flame Class	UL94-VO
Safety Class	II
Pin Dimensions	φ4mm

### Dimensions

